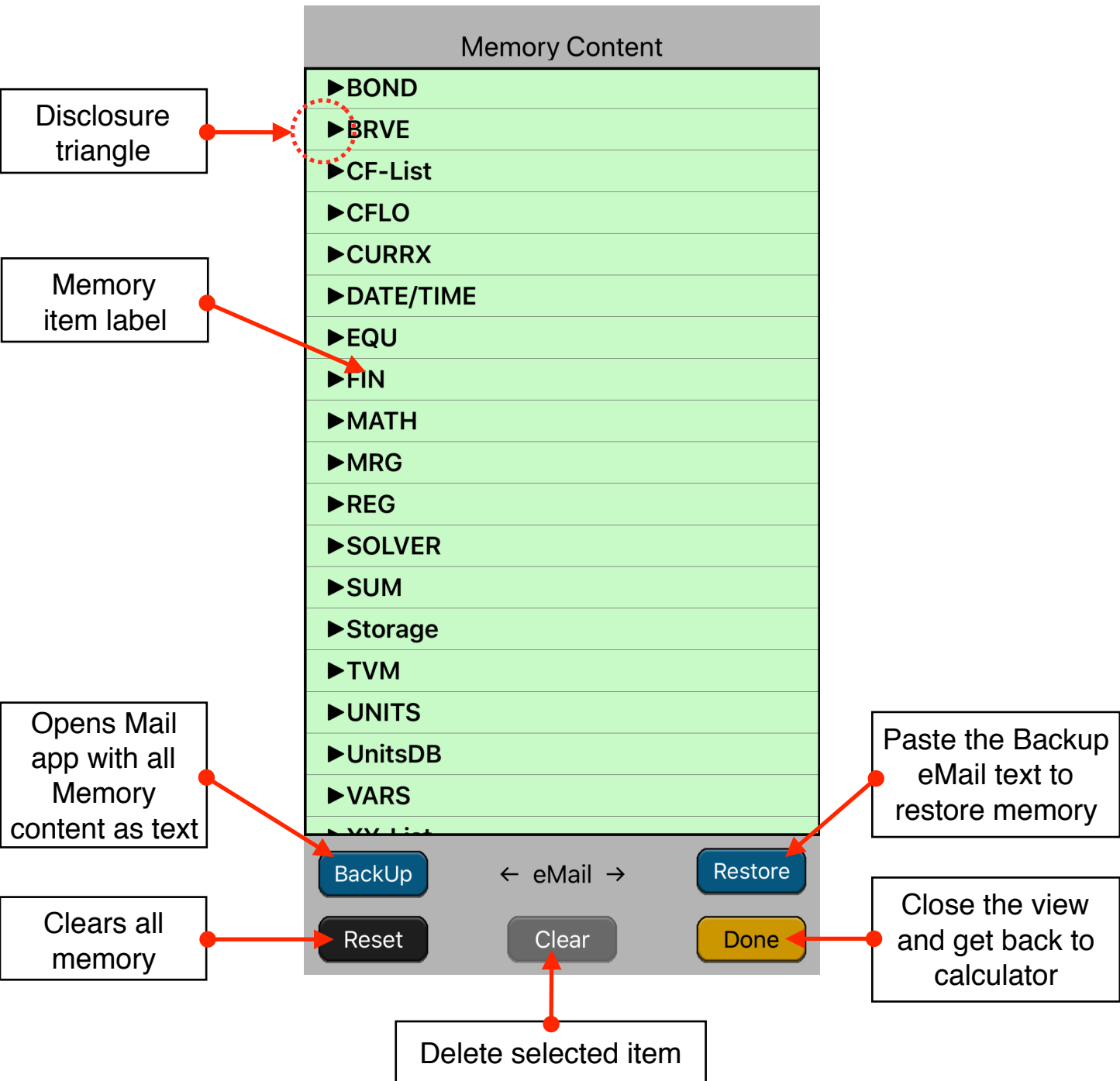


Memory Content View

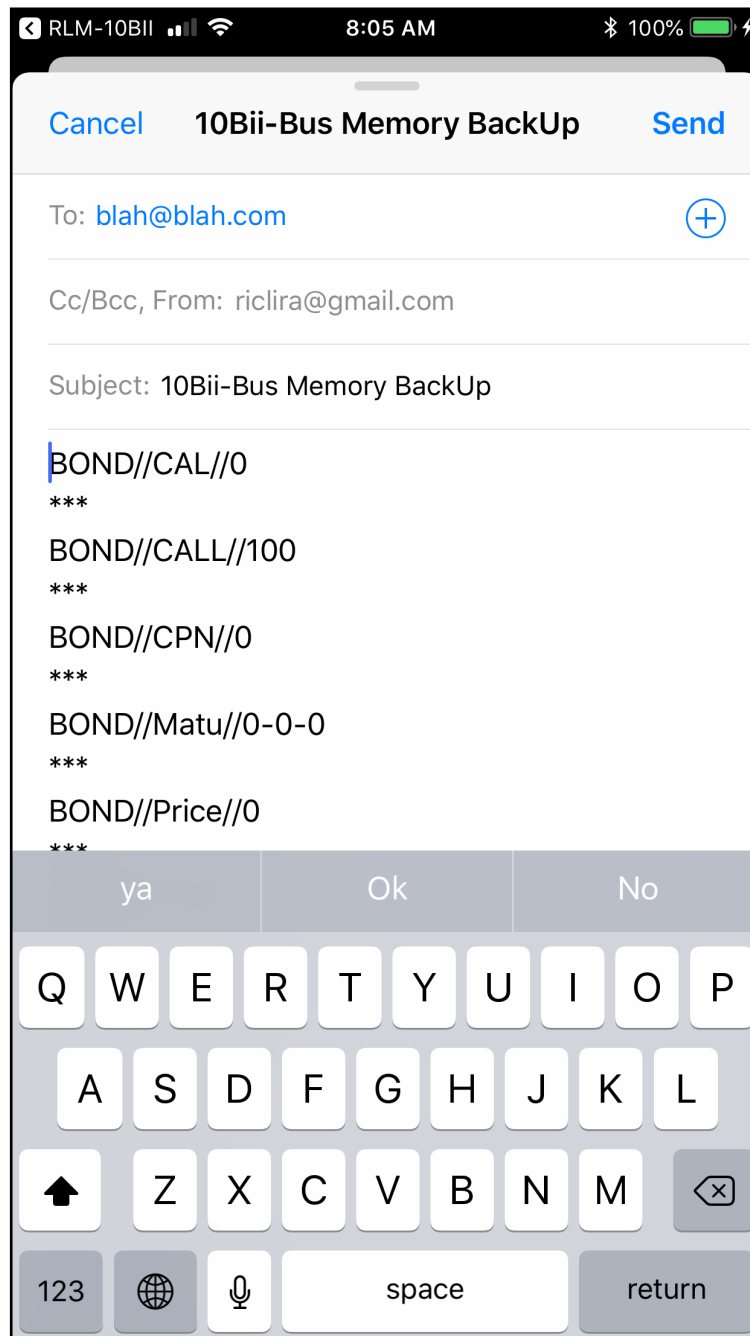
This view shows the complete memory structure of the calculator. To show it, touch the “**Utilities**” button in main menu, and select the “**Memory Content**” option.



BackUp and Restore Procedure

BackUp:

When the [BackUp] button is pressed, the Mail app will opens ready to send all the memory content to your desire eMail recipient.



Type the eMail recipient address and “Send” the eMail. Once the mail is received by the recipient, you will have all the current memory content of your calculator as a coded text.

Restore:

To Restore a BackUp eMail follow the next procedure:

- 1) Launch Mail app.
- 2) Receive the BackUp email sent before.
- 3) Open the BackUp eMail and “Select All” text.
- 4) “Copy” the selected eMail text.
- 5) Get back to the calculator Memory Tool
- 6) Touch the **[Restore]** button
- 7) Finally press **[Done]**.

Now you will have all the memory restored with all the information of the previous BackUp.